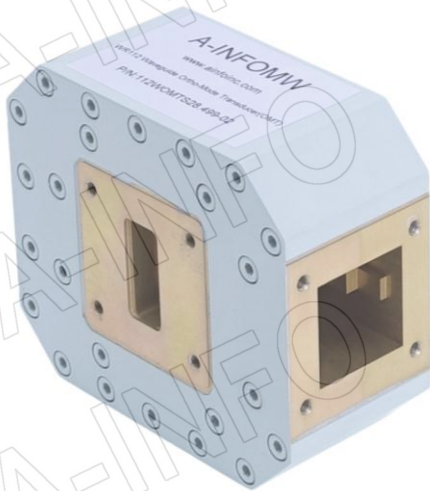


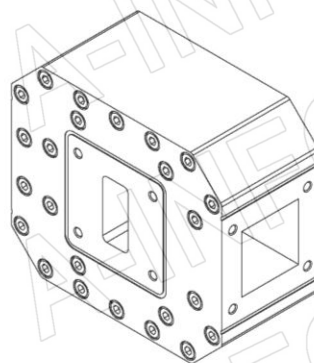
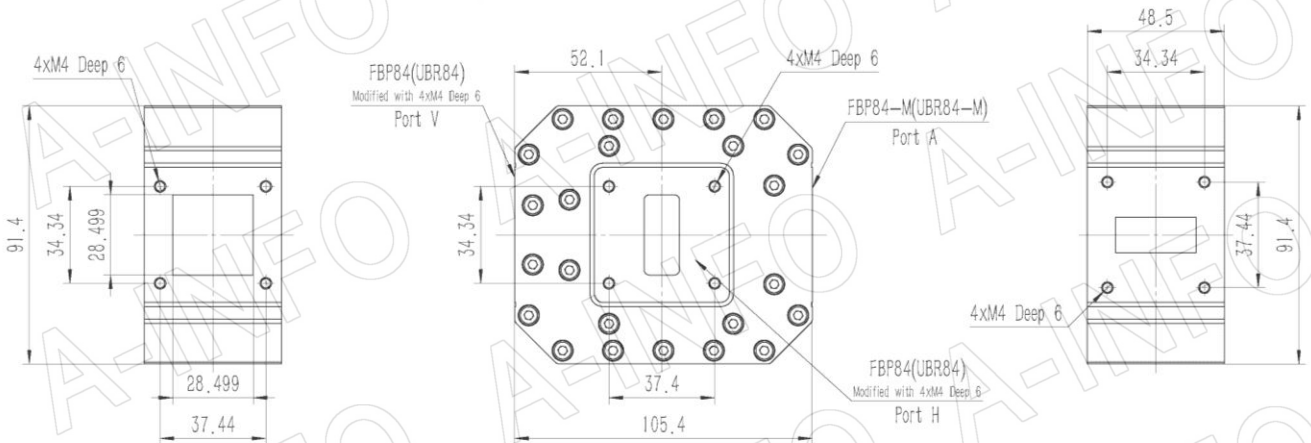
For reference only. See data sheet for the detailed specifications.

Technical Specification



EIA WR	WR112
Frequency Range(GHz)	7.05 – 10.0
Bandwidth	Full
Common Port	28.499mm Square WG
Insertion Loss(dB)	0.35 Max.
VSWR	1.30:1 Typ.
Cross Pol. Isolation(dB)	60 Typ.; 50 Min.
Port to Port Isolation(dB)	40 Min.
Common Port Flange	FBP84-M(UBR84-M)
Flange	FBP84(UBR84) (Modified with 4xM4 Deep 6)
Material	Al
Size(mm)	105.4 x 48.5 x 91.4
Net Weight(Kg)	1.01 Around

Outline Drawing (Size: mm)



AINFO Inc.

China(Beijing):
China(Chengdu):
USA :

Tel: (+86) 10-6266-7326,
Tel: (+86) 28-8519-2786,
Tel: (+1) 949-639-9688,

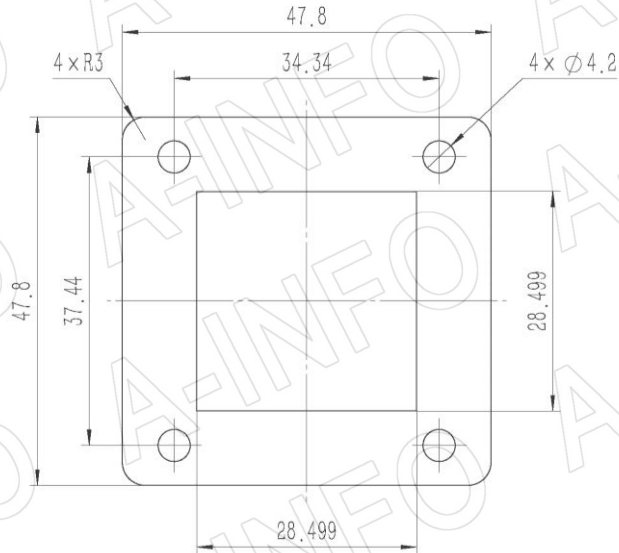
Page 1 of 5

(+86) 10-6266-7327
(+86) 28-8519-3044
(+1) 949-639-9608

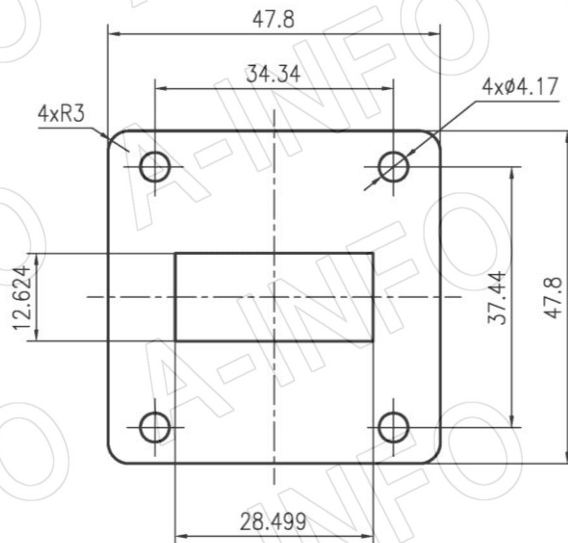
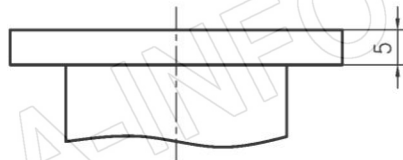
Fax: (+86) 10-6266-7379
Fax: (+86) 28-8519-3068
Fax: (+1) 949-639-9670

Website: www.ainfoinc.com
Email: sales@ainfoinc.com

Flange Drawing (Size: mm)



FBP84-M



FBP84

AINFO Inc.

China(Beijing):
China(Chengdu):
USA :

Tel: (+86) 10-6266-7326,
Tel: (+86) 28-8519-2786,
Tel: (+1) 949-639-9688,

Page 2 of 5

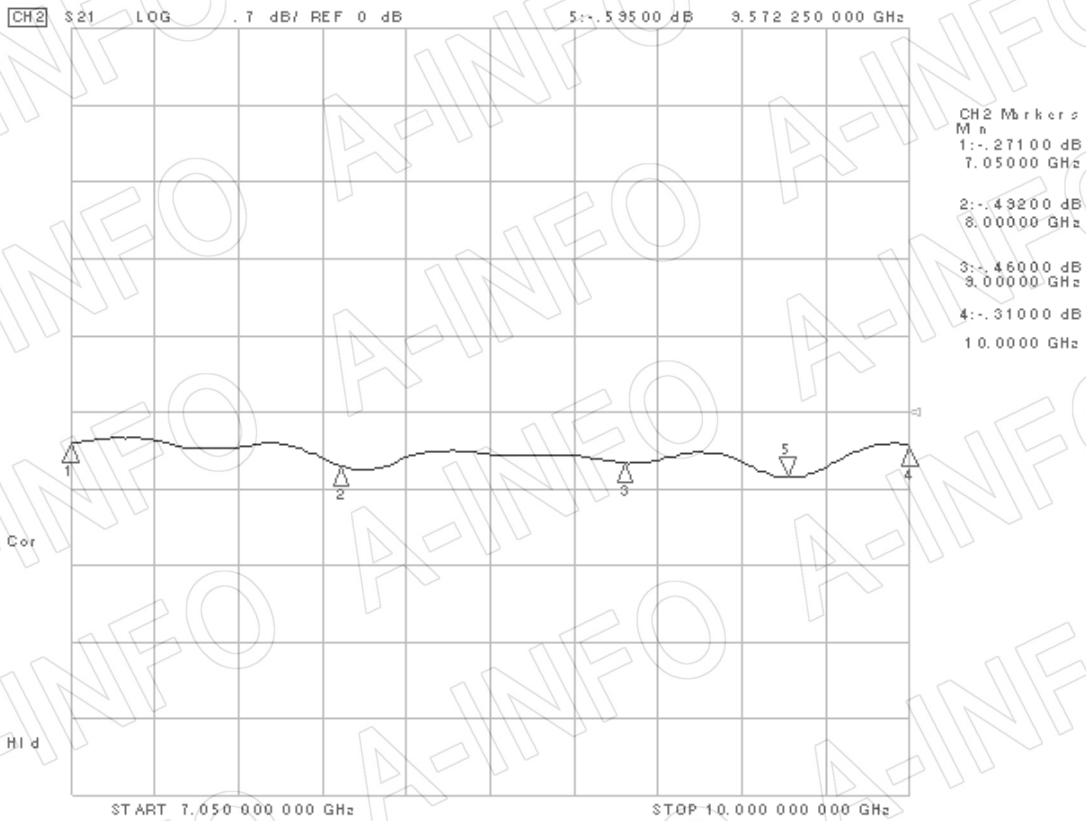
(+86) 10-6266-7327
(+86) 28-8519-3044
(+1) 949-639-9608

Fax: (+86) 10-6266-7379
Fax: (+86) 28-8519-3068
Fax: (+1) 949-639-9670

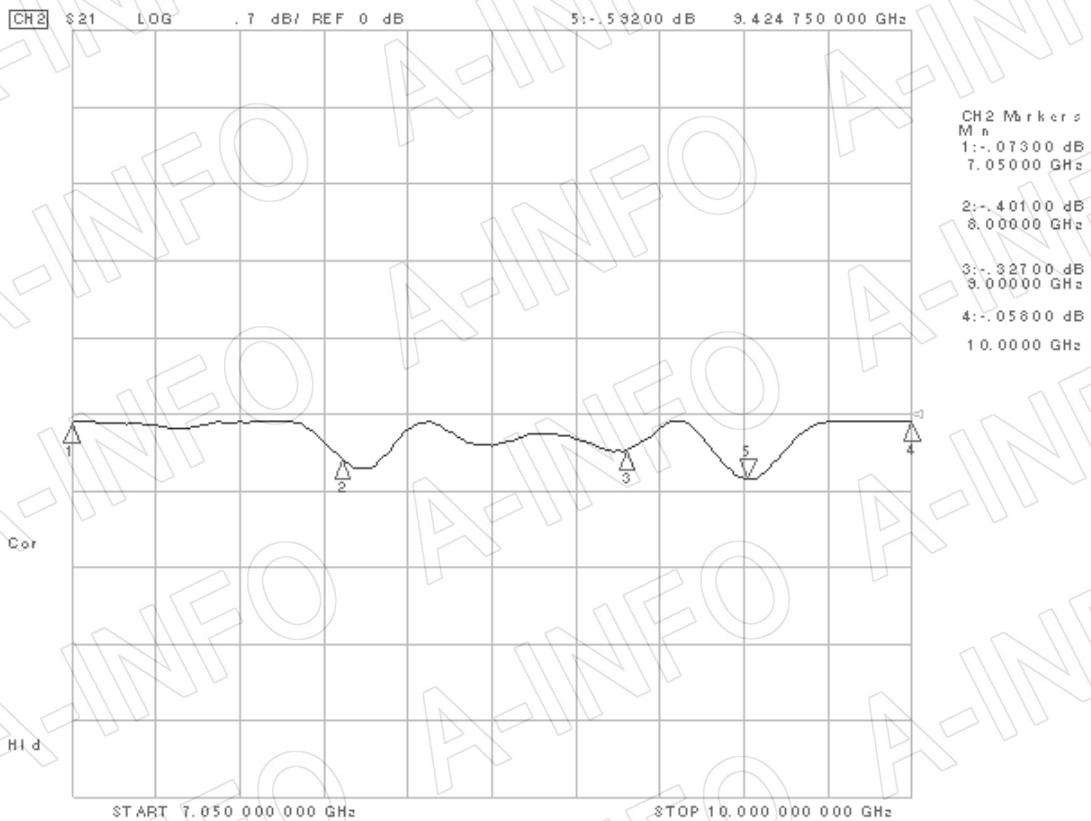
Website: www.ainfoinc.com
Email: sales@ainfoinc.com

Test Results

Port H_ Insertion Loss(Test with two OMT back to back)



Port V_ Insertion Loss(Test with two OMT back to back)



AINFO Inc.

China(Beijing):
China(Chengdu):
USA :

Tel: (+86) 10-6266-7326,
Tel: (+86) 28-8519-2786,
Tel: (+1) 949-639-9688,

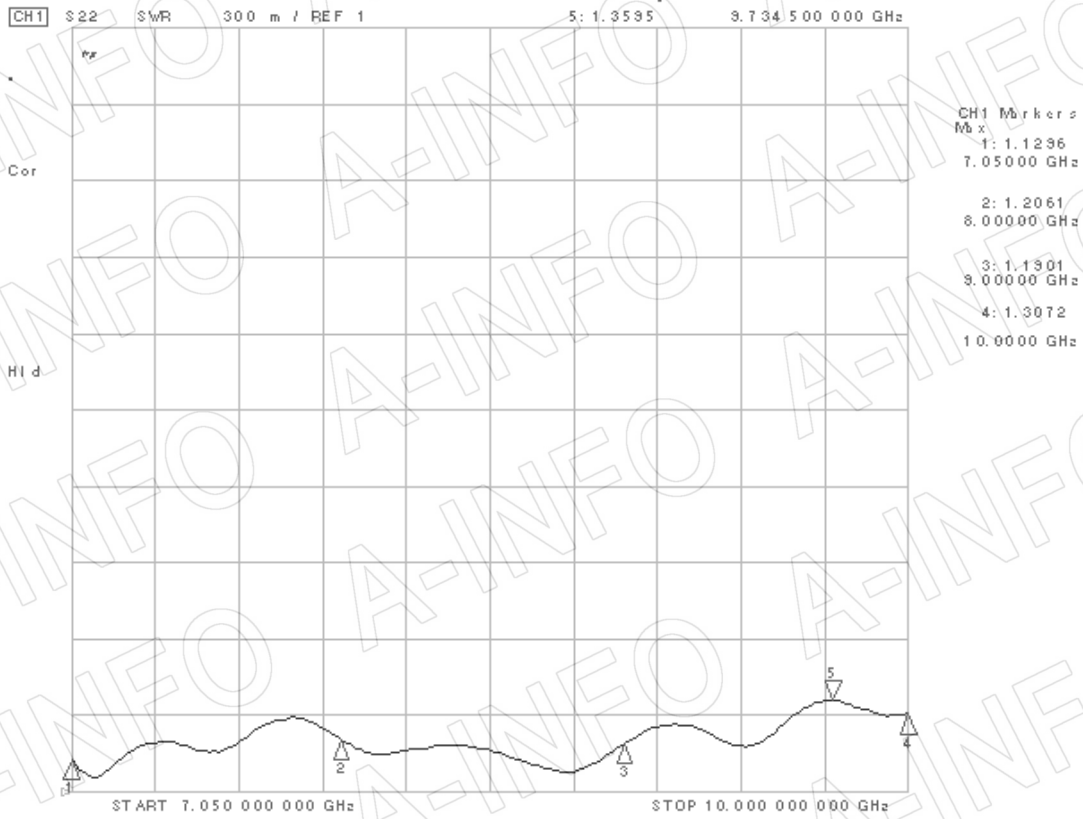
Page 3 of 5

(+86) 10-6266-7327
(+86) 28-8519-3044
(+1) 949-639-9608

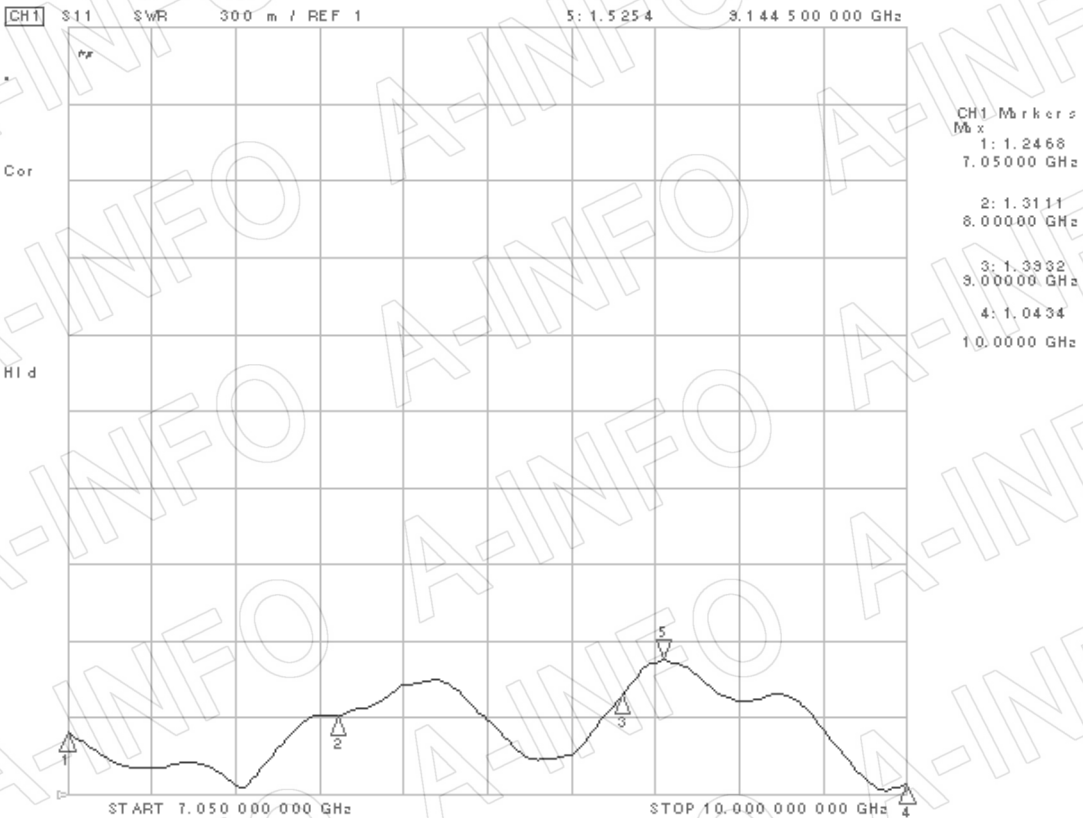
Fax: (+86) 10-6266-7379
Fax: (+86) 28-8519-3068
Fax: (+1) 949-639-9670

Website: www.ainfoinc.com
Email: sales@ainfoinc.com

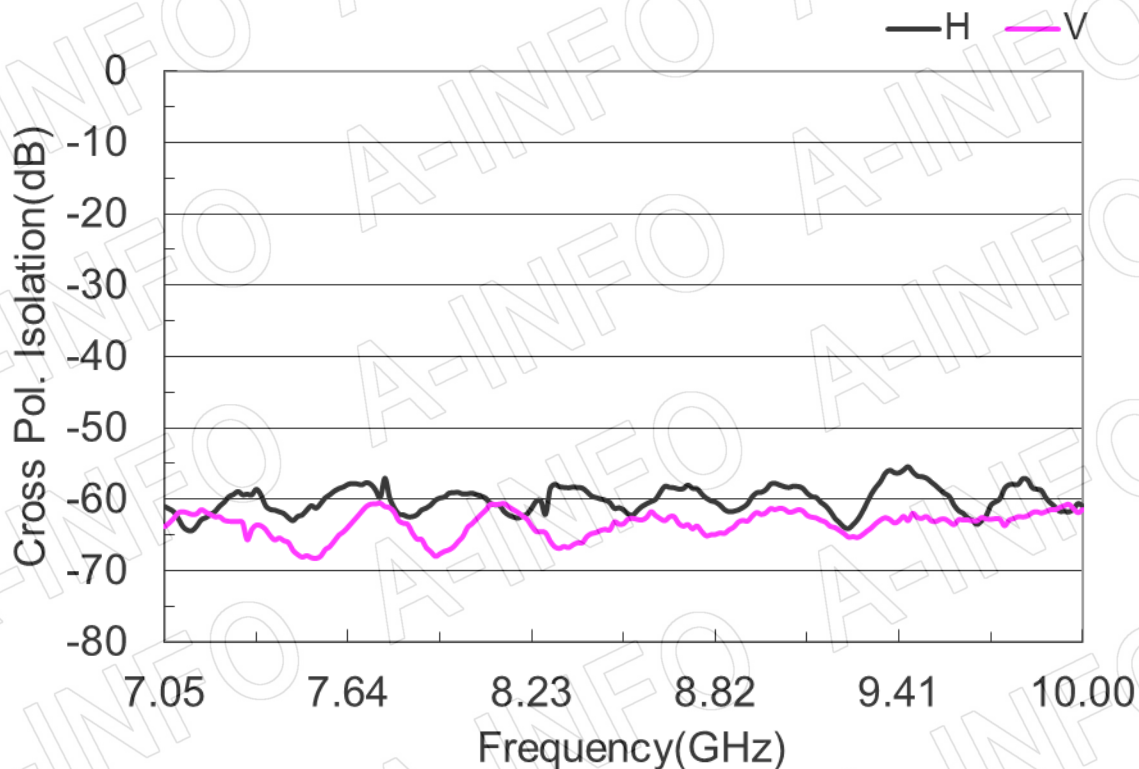
Port H_VSWR



Port V_VSWR



Cross Polarization Isolation



Port to Port Isolation

